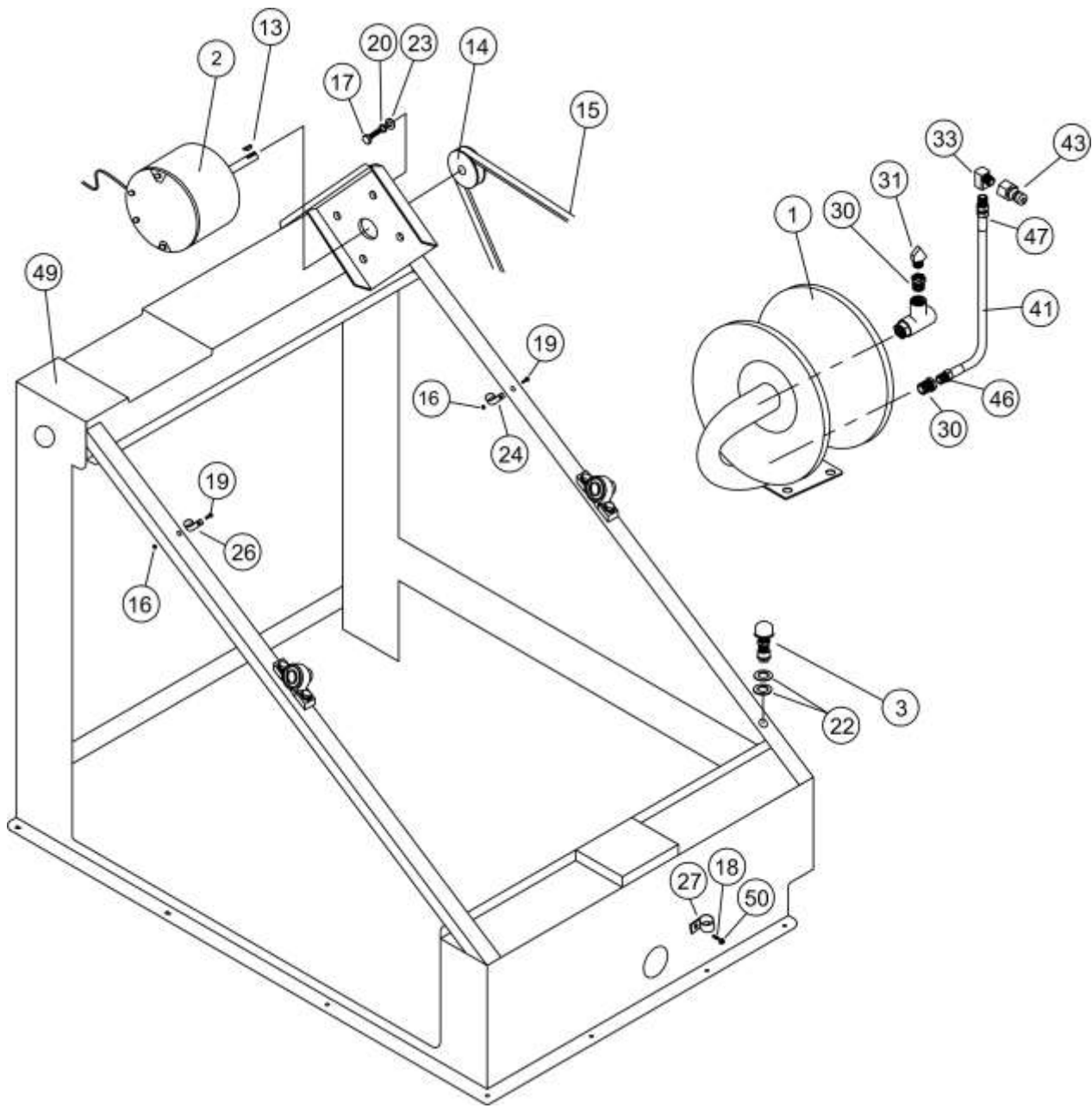
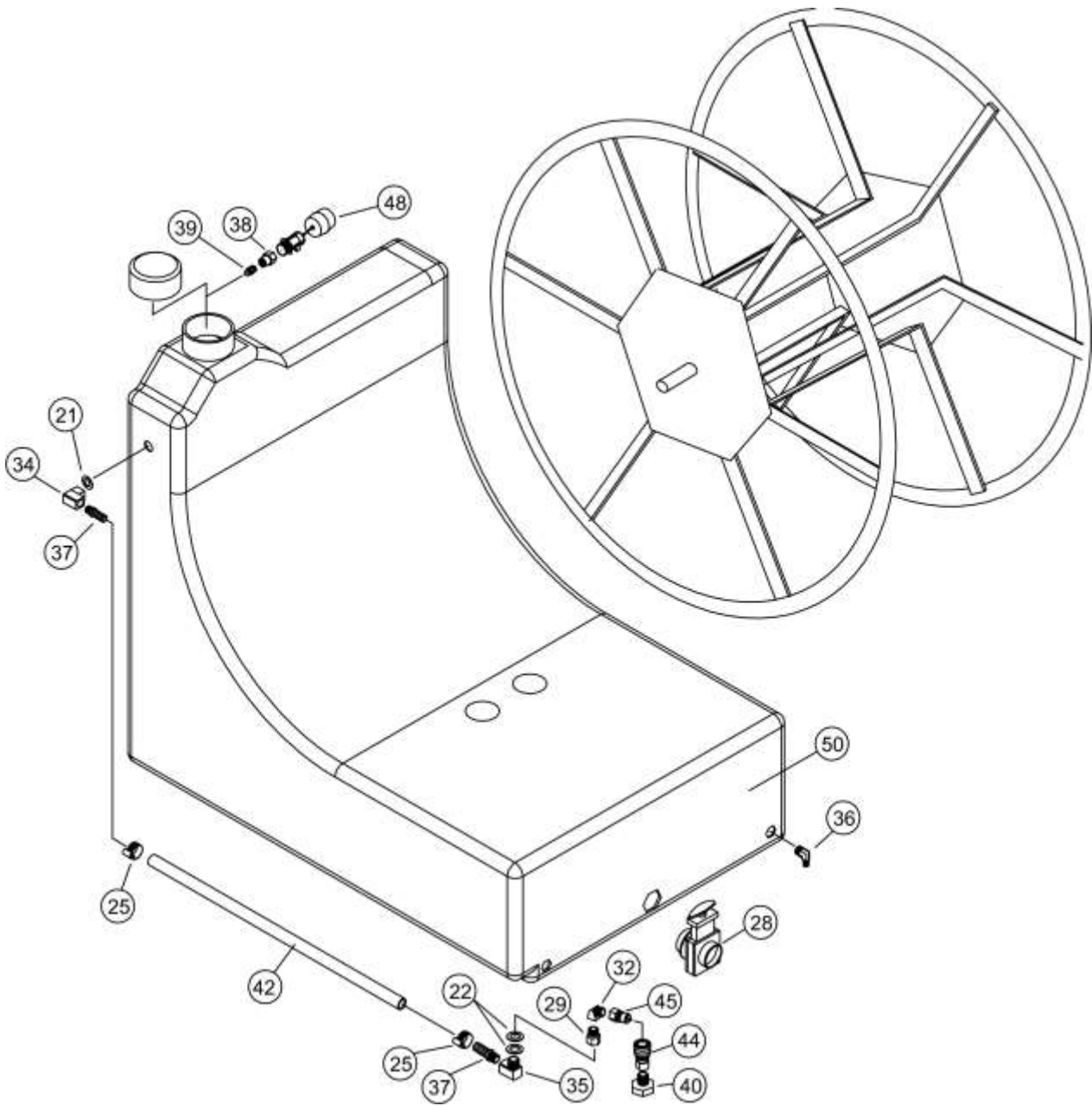


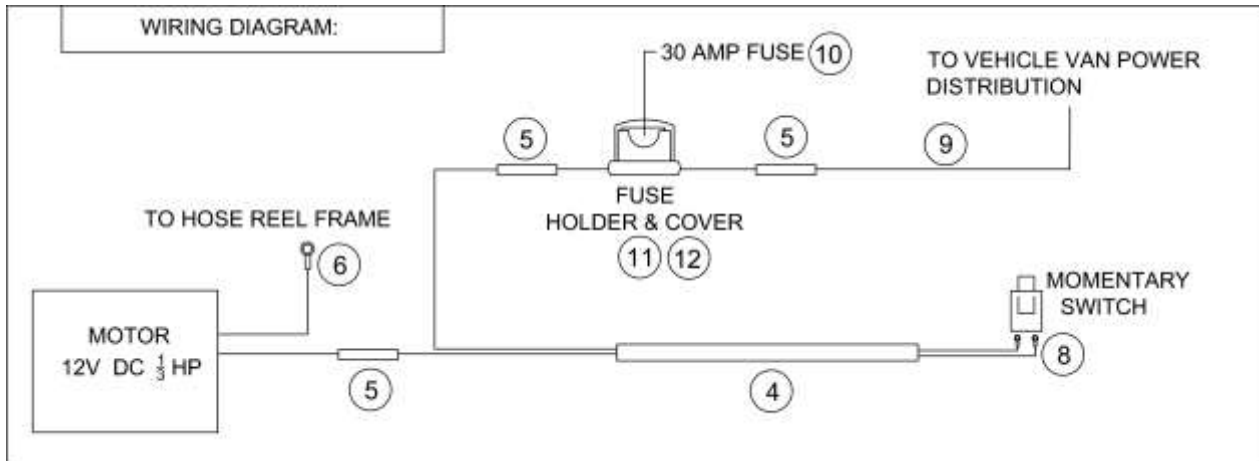
# F/W TANK AQUA - REEL TANK (125 GAL) P. 1



# F/W TANK AQUA - REEL TANK (125 GAL) P. 2



## F/W TANK AQUA - REEL TANK (125 GAL) P. 3



## F/W TANK AQUA - REEL TANK (125 GAL) PARTS

REF	PART NO.	DESCRIPTION	NOTES:
1	235-305	Hose Reel Solution 200'	
2	300-060	Motor, 12V DC 1/3HP	
3	305-125	Switch Momentary 35A	
4	315-035	Cord	
5	325-010	Connector, Butt -Yellow	
6	325-211	Terminal Ring, 5/16" - Yellow	
7	325-215	Terminal Ring, 3/8" - Blue	
8	325-225	Terminal Ring, #10 - Yellow	
9	330-005	Wire, 10A - Red	
10	340-105	Fuse 30 Amp	
11	345-105	Fuse Holder	
12	345-115	Fuse Holder Cover	
13	380-580	Key, Woodruff 3/16 x 1/2"	
14	385-149	Pulley, AK20 5/8	
15	397-105	Belt, A104	
16	400-125	Locknut, 8 x 32 Nylon S.S	
17	405-210	Bolt, 5/16 x 1 GR5 Zinc	
18	405-610	Clinch Stud, 1/4 x 3/4 S.S	
19	410-130	MS, 8-32 x 1/2 Pan Phil S.S	
20	415-040	LW, 5/16 Zinc	
21	415-165	FW, 5/8 S.S	
22	415-166	FW, 5/8 S.S AN	
23	415-200	FW, 5/16 Zinc	
24	425-100	Clamp, 1/2 Tube Plastic	
25	425-116	Clamp, Hose Silicone #10	

26	425-137	Clamp, tube 1"	
27	425-140	Clamp, tube 3/4"	
28	545-100	Dump valve, 1-1/2"	
29	555-004	ADPT, 3/8 M x 3/8 F	
30	555-024	Bushing 3/8 M x 1/4 F	
31	555-184	Elbow 45, Street 1/4"	
32	555-186	Elbow 45, 3/8" Street Extruded	
33	555-208	Elbow 90, 1/4" Street Extruded	
34	555-212	Elbow 90, 3/8" FPT	
35	555-214	Elbow 90, 3/8" Street Extruded	
36	555-331	Hose Barb 90, 5/8 Barb x 1/2 MPT	
37	555-390	Hose Barb, 5/8 Barb x 3/8 MPT	
38	555-516	Reducing ADPT, 3/4 MPT x 1/2 F	
39	555-544	Reducing Nipple, 1/2 MPT x 3/8 MPT	
40	555-605	Swivel, 3/8 MPT x F SVL (Water)	
41	572-042	Blue Neptune, 1/4	
42	572-136	Heater Hose, 5/8 Silicone	
43	580-015	Q.C. 1/4" Male (Closed)	
44	580-130	Q.C. 3/8" FEM (Closed)	
45	580-135	Q.C. 3/8" Male (Closed)	
46	581-010	Crimp Fitting, 1/4" HP Hose - 1/4" MPT	
47	581-015	Crimp Fitting, 1/4" HP Hose - 1/4" MPT SVL	
48	597-065	Valve, Diaphragm -Auto fill	
49	845-600	Frame & Vac Reel, Poly Tank	
50	860-315	Poly Tank 125 Gal (White)	
51	400-115	Locknut 1/4 x 20 S.S	